

QUAVANA

CABINET & QUARTZ





M A K E I T H O M E .



QUAVANA WARRANTY

Warranty

QUAVANA CABINETS & QUARTZ warrants to the original consumer purchaser, that its Ready-to-Assemble products will be free from defects in material and workmanship. This warranty applies only to the original purchaser for the residential applications on the original installation site for a period of two years as long as you own the cabinetry and is not transferable to subsequent owners.

This warranty does not cover damage resulting from normal wear, accident, misuse or lack of reasonable and necessary maintenance and service; nor does it warranty the improper installation or unauthorized repair, alteration, or modification or defects in the product when the product is installed. This warranty does not cover damage caused by transportation, storage or exposure to excessive temperatures and moisture or to defects arising from misuse, neglect, accident, alteration, improper use or care or failure to maintain. This warranty does not cover damage caused by other trades such as plumbing, flooring, painting, and electric. No installer, retailer, contractor, distributor, agent or employee of QUAVANA CABINETS & QUARTZ has the authority to alter the obligations or limitations of any QUAVANA CABINETS & QUARTZ warranty. This warranty is limited to the repair or replacement of the defective part at the sole discretion of warrantor.

It is our option to provide repair parts or replace with functionally equivalent product. Return of product may be required for replacements. Such repair parts or

replacement shall be at warrantor's expense, but customer shall bear all other expenses, including, but not limited to, cost of removal, transportation, re-installation, communication and any special service required by customer such as, overtime labor, etc. Due to the nature of the product, replacement product may vary in color from original purchased product. QUAVANA CABINETS & QUARTZ reserves the right to determine what is "defective merchandise" also the most cost effective and efficient method to correct defective merchandise that may or may not involve total replacement.

Warranty Claims

In the event of a QUAVANA CABINETS & QUARTZ brand warranted product performance issue, submit request including proof of purchase documentation, specific description of warranty issue (include photos where possible) in writing by submitting an e-mail to quavanasales@gmail.com. The normal processing time is 6-8 weeks. QUAVANA CABINETS & QUARTZ reserves the right to request additional information regarding any claim made. Buyer is required to report any and all order/shipping related issues or claims within 7 days of receiving the shipment. Do not assemble any items you are reporting and save all the packaging material and boxes. Please email quavanasales@gmail.com along with the required pictures of evidence.

QUAVANA WARRANTY

Warranty Disclaimers

This warranty is not transferable. Wood characteristics naturally occurring such as variations in color, grain, mineral streaks, knots and black eye are not considered defects.

Natural woods vary in color and grain pattern and exhibit color change over time. Cabinets may darken or lighten with age due to exposure to certain environmental conditions including but not limited to sunlight, moisture, household cleaners, smoke, etc. These variations are considered the natural characteristics of the material and are not covered under this warranty. For these reasons, new and/or replacement cabinets may not match display samples and/or existing cabinets. Such variations and changes are not considered defects.

QUAVANA CABINETS & QUARTZ shall not be liable for either its failure to perform or its delays in performance hereunder arising out of or resulting from causes beyond its control, including but not limited to, acts of God, acts of Representation, acts of Government, wars, fires, floods, epidemics, quarantine, strike, freight embargoes, weather or default by suppliers due to any such causes.

Except to the extent provided by applicable law, all implied warranties, including warranties of merchantability and fitness for particular purpose, are limited in duration to the shorter of the period provided by law or the period

of this warranty, and under no circumstance shall QUAVANA CABINETS & QUARTZ be liable for incidental or consequential damages sustained in connection with the product.

This writing is the complete and exclusive statement of the express warranties provided above and is in lieu of all other express and/or statutory warranties by the manufacturer, to the extent provided by law. There are no implied warranties extending beyond the terms of this warranty. QUAVANA CABINETS & QUARTZ shall not be liable for any incidental or consequential costs, expenses or damages.

Some states do not allow the exclusion or limitation of incidental or consequential damages, or limitation on how long an implied warranty lasts, therefore, the above limitations or exclusions may not apply to you. This warranty gives you specific legal rights, and you may also have other rights, which vary from state to state.

C O N T E N T

About Us	7	Cabinet	
Our Products	9	Specifications Guide	22
<i>Shaker Ash Blue</i>	9	<i>Base Cabinet</i>	22
<i>Shaker Cyan</i>	11	<i>Wall Cabinet</i>	27
<i>Antique White Raised /AWR</i>	13	<i>Vanity Cabinet</i>	33
<i>Shaker White / SW</i>	15	<i>Accessory</i>	35
<i>Shaker Gray Light / SGL</i>	17		
<i>Shaker Gray Dark / SGD</i>	19		
<i>Shaker Espresso / SE</i>	21		



A B O U T U S

Quavana Cabinets & Quartz embodies individuality, top-notch quality, and a contemporary way of life. We prioritize functionality, elegance, and the seamless blend of elements. We've taken quality stone products with expertly crafted cabinets to offer an an integrated and affordable cabinet design solution. We're dedicated in tailoring to your precise needs, ensuring every space is a testament to sophistication and practicality with our products.



SHAKER ASH BLUE

Unveiling Shaker Ash Blue: This rich, deep color embodies enduring refinement, infusing a touch of luxury into any living space. Its versatility ensures it complements various styles, making it the ideal choice for a sophisticated home.



SHAKER CYAN

Introducing Shaker Cyan: Seamlessly blending Shaker aesthetics with a trendy cyan blue, this vibrant cabinet color reimagines classic designs with a fresh twist, radiating timeless elegance with a contemporary flair.



ANTIQUÉ WHITE RAISED

The clean outlines of the cocoa brown can bring out the best match to Antique White. It creates a harmonious and warm atmosphere by the unity of gentle and cream-like color in the house. Let your kitchen become the new family gathering room to enjoy time with one another.



SHAKER WHITE

The shaker style can be employed in various decoration of modern kitchens and bathrooms. Its simple lines and pattern create a sense of simplicity and brightness. Shaker White will undoubtedly bring about much more comfort to your personal space in the kitchen or bathroom.



SHAKER GRAY LIGHT

The cool shades of Shaker Gray is a emerging as a popular choice. Its light and neutral tones seamlessly harmonize with a wide spectrum of colors, allowing you to personalize your living space effortlessly. With Shaker Gray, you're free to infuse your home with personalized touches and accents, creating the perfect environment for cherished family moments.



SHAKER GRAY DARK

Shaker Gray, with its modest yet proud reputation, exudes a sense of understated elegance and create a captivating ambiance in any room. With impeccable craftsmanship of the Shaker style, it will create a lasting impression that transcends trends.

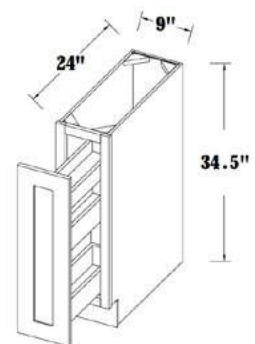


SHAKER ESPRESSO

As an all time classic, the warm and rich color of Shaker Espresso is a staple choice for entertaining. Its originality exerts incomparable beauty with dark panel doors and slab style drawers from all angles and sides of your home. It gives a more upscale look by incorporating a Shaker style drawers.



BASE CABINET All single door cabinets are invertable for both L/R

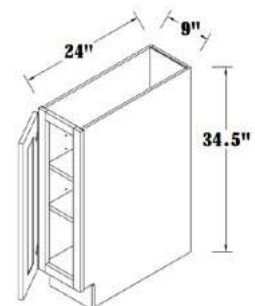


**Base Cabinet
(Spice Pull Base Cabinets)**

3 Pull-Out Shelves

SKU

BPP09



**Base Cabinet
(Single Full-Height Door
Base)**

1 Door
2 Adjustable Shelves

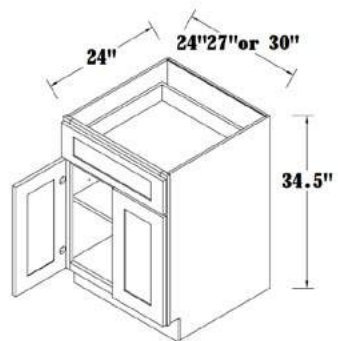
B09FHD



**Base Cabinet
(Single Drawer, Single
Door)**

1 Door
1 Drawer
1 Adjustable Shelf

B09
B12
B15
B18
B21

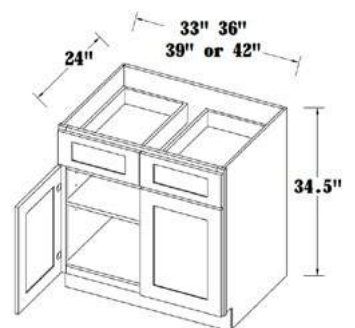


**Base Cabinet
(Single Drawer,
Single Door)**

1 Door & 1 Drawer
1 Adjustable Shelf

SKU

B24
B27
B30



**Base Cabinet
(Double Drawers,
Double Doors)**

2 Doors
2 Drawers
1 Adjustable Shelf

B33
B36
B39
B42

All single door cabinets are invertable for both L/R **BASE CABINET**



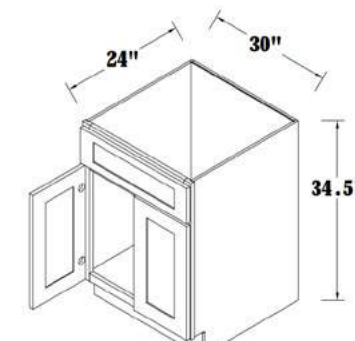
SKU

Description

SB30

Sink Base Cabinet

2 Doors
1 Dummy Drawer
No Shelf



SB33

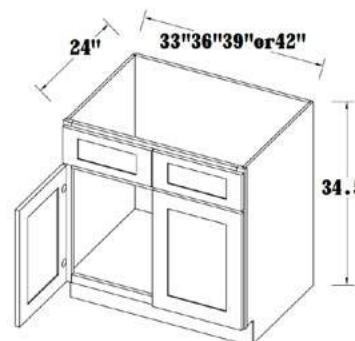
SB36

SB39

SB42

**Sink Base Cabinet
(Double Drawers, Doub
Doors)**

2 Doors
2 Dummy Drawers
No Shelf



SKU

Description

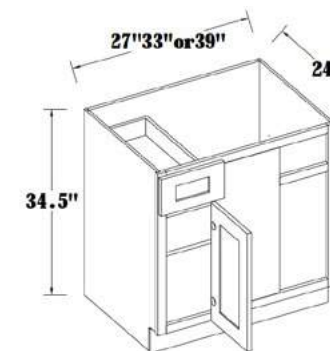
BLB3639

BLB3942

BLB4245

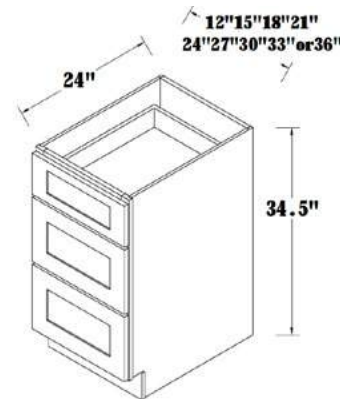
Blind Base Corner Ca

1 Door/1 Drawer
1 Adjustable Shelf





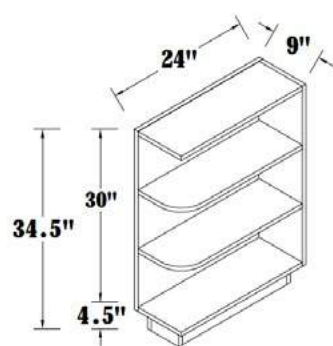
BASE CABINET All single door cabinets are invertable for both L/R



Drawer Base Cabinet (3 Drawers)

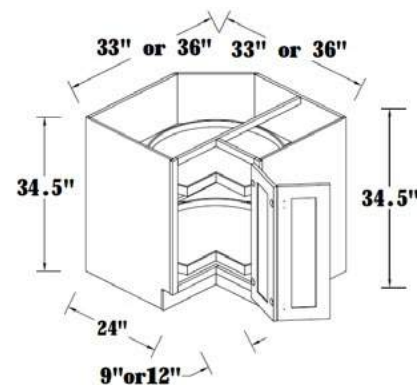
1 Small Top Drawer
2 Large Bottom Drawers

Description	SKU
	3DB12
	3DB15
	3DB18
	3DB21
	3DB24
	3DB27
	3DB30
	3DB33
	3DB36
	BES09



Base End Shelf Cabinet

2 Fixed Shelves
Matching Color Finish
For Both L/R



Base Lazy Susan Corner Cabinet

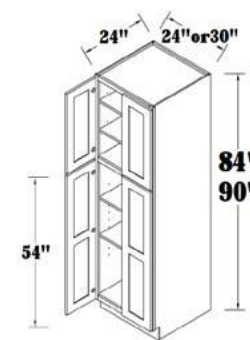
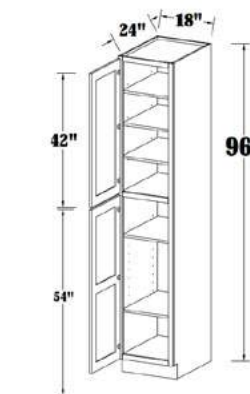
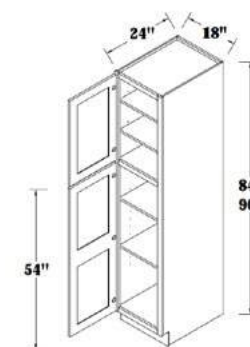
2 Wooden Baskets
1 Bi-Folding Door

Description	SKU
	CAR33
	CAR36

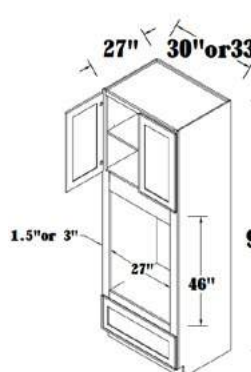
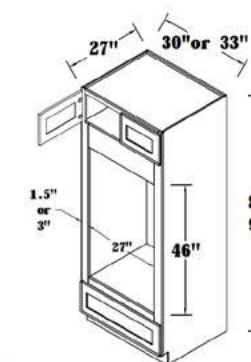
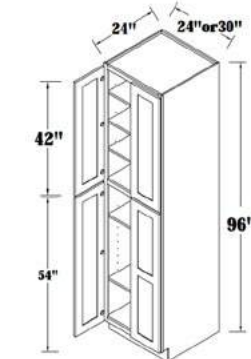


All single door cabinets are invertable for both L/R **BASE CABINET**

SKU	Description
WP182484	Pantry Tall Cabinet
WP182490	
	4 Doors 3 Adjustable Top Shelves 2 Bottom Shelves
WP182496	Pantry Tall Cabinet
	2 Doors 3 Adjustable Top Shelves 2 Bottom Shelves
WP242484	Pantry Tall Cabinet
WP242490	
WP302484	
WP302490	
	4 Doors 2 Adjustable Top Shelves 2 Bottom Shelves

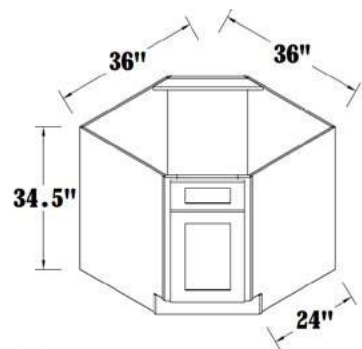


SKU	Description
WP242496	Pantry Tall Cabinet
WP302496	
	2 Doors 2 Adjustable Top Shelves 2 Bottom Shelves
OC3384	Oven Cabinet, Double Doors On Upper
OC3390	
	2 Doors On Upper 1 Large Open Shelf 1 Bottom Drawer
OC3396	Oven Cabinet, Double Doors On Upper
	2 Doors On Upper 2 Adjustable Shelves 1 Large Open Shelf 1 Bottom Drawer





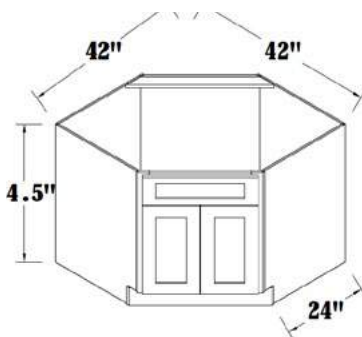
BASE CABINET All single door cabinets are invertable for both L/R



Diagonal Corner Sink Base

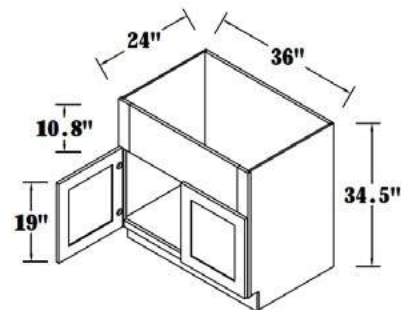
1 Door
1 Dummy Drawer
No Shelf

Description	SKU
Diagonal Corner Sink Base	NCSB36
Diagonal Corner Sink Base	NCSB42



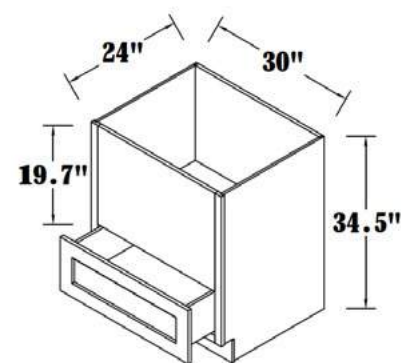
Diagonal Corner Sink Base

2 Doors
1 Dummy Drawer
No Shelf



Farmer Sink Base Cabinet

2 Doors
No Shelf



Base Microwave Cabinet

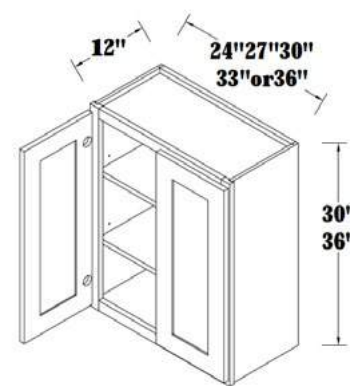
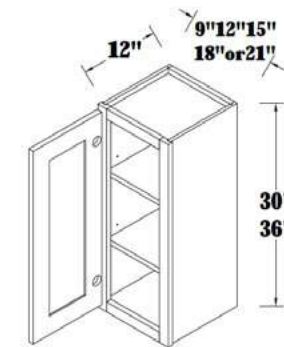
1 Bottom Drawer

Description	SKU
Farmer Sink Base Cabinet	FSB36
Base Microwave Cabinet	BMC30

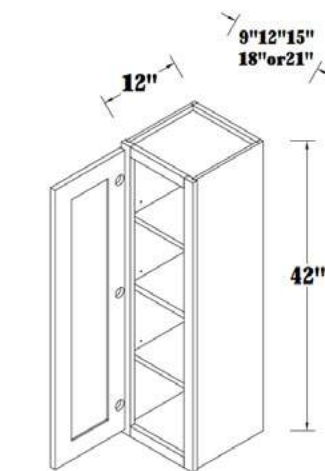
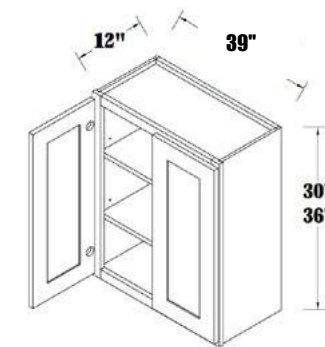
All single door cabinets are invertable for both L/R **WALL CABINET**



SKU	Description
W0930	Wall Cabinet Single Door 1 Door 2 Adjustable Shelves
W1230	
W1530	
W1830	
W2130	
W0936	Wall Cabinet Double Doors 2 Doors 2 Adjustable Shelves
W1236	
W1536	
W1836	
W2136	
W2430	Wall Cabinet Double Doors 2 Doors 2 Adjustable Shelves
W2730	
W3030	
W3330	
W3630	Wall Cabinet Single Door 1 Door 3 Adjustable Shelves
W2436	
W2736	
W3036	
W3336	
W3636	

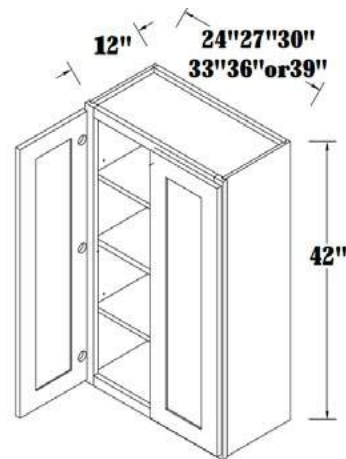


SKU	Description
W3930	Wall Cabinet Double Doors 2 Doors 2 Adjustable Shelves
W3936	
W0942	Wall Cabinet Single Door 1 Door 3 Adjustable Shelves
W1242	
W1542	
W1842	
W2142	



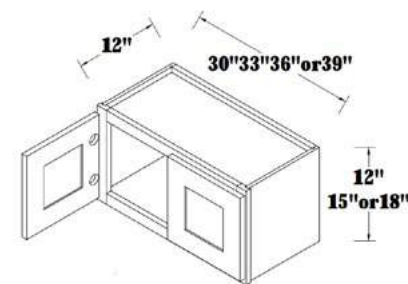


WALL CABINET All single door cabinets are invertable for both L/R

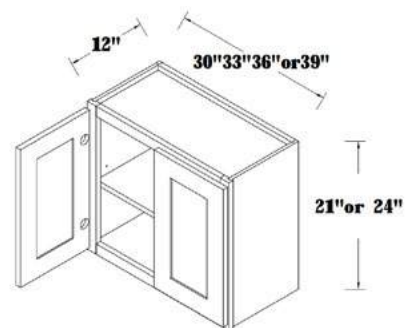


Wall Cabinet Double Doors
2 Doors
3 Adjustable Shelves

Description	SKU
Wall Cabinet Double Doors	W2442
	W2742
	W3042
	W3342
	W3642
	W3942



Wall Cabinet Double Doors
2 Doors
No Shelf



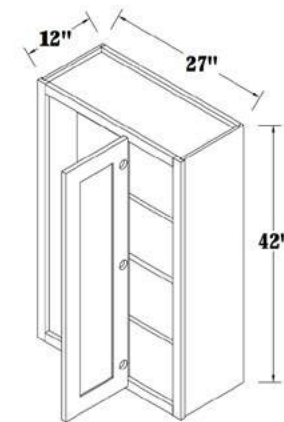
Wall Cabinet Double Doors
2 Doors
1 Adjustable Shelf

Description	SKU
Wall Cabinet Double Doors	W3012
	W3015
	W3018
	W3312
	W3315
	W3318
	W3612
	W3615
	W3618
	W3912
	W3915
	W3918
Wall Cabinet Double Doors	W3021
	W3024
	W3321
	W3324
	W3621
	W3624
	W3921
	W3924

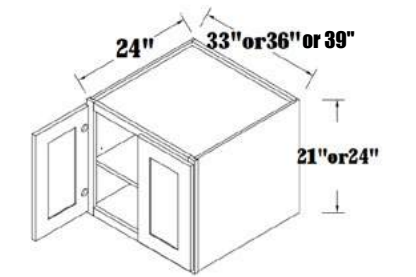
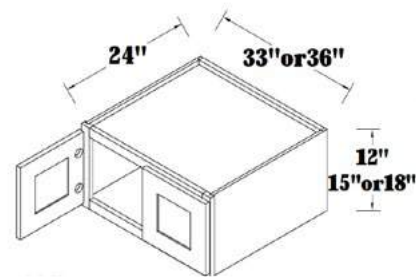
All single door cabinets are invertable for both L/R **WALL CABINET**



SKU	Description
BLW2730	Wall Blind Corner Cabinet 1 Door 2 Adjustable Shelves For Both L/R
BLW2736	
BLW2742	Wall Blind Corner Cabinet 1 Door 3 Adjustable Shelves For Both L/R

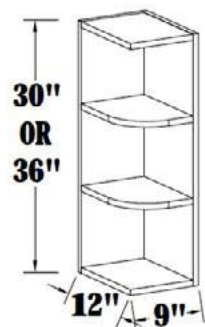


SKU	Description
W331224	Refrigerator Wall Cabinet Double Doors 2 Doors No Shelf
W331524	
W331824	
W361224	
W361524	
W361824	
W332124	Refrigerator Wall Cabinet Double Doors 2 Doors 1 Adjustable Shelf
W332424	
W362124	
W392424	





WALL CABINET All single door cabinets are invertable for both L/R



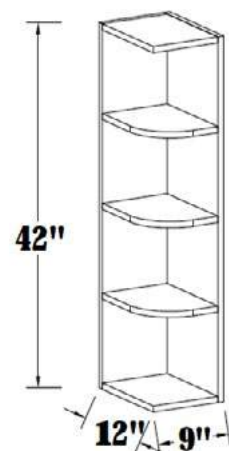
Wall End Shelf, 30"H

SKU

WES0930

WES0936

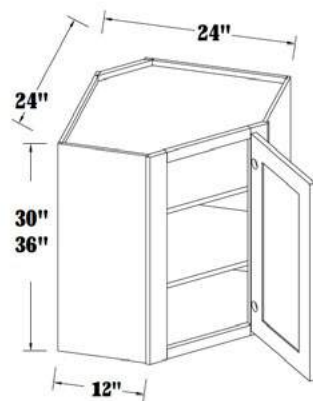
2 Fixed Shelves
For Both L/R
Matching Color Finish



Wall End Shelf, 42"H

WES0942

3 Fixed Shelves
For Both L/R
Matching Color Finish



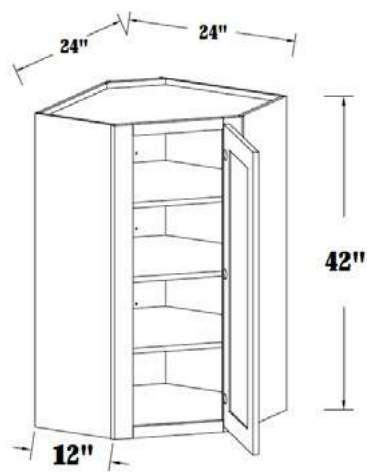
Wall Diagonal Cabinet

SKU

WDC2430

WDC2436

1 Door
2 Adjustable Shelves



Wall Diagonal Cabinet, 42"H

WDC2442

1 Door
3 Adjustable Shelves

All single door cabinets are invertable for both L/R **WALL CABINET**



SKU

Description

MWC3030

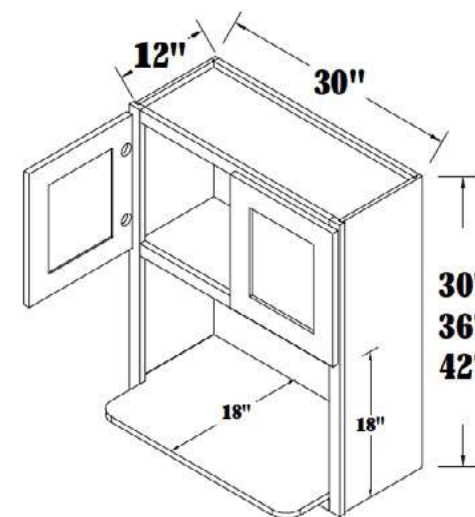
MWC3036

MWC3042

Microwave Wall Cabinet

2 Doors
No Adjustable Shelf
1 Open Shelf

Matching Color Finish



SKU

Description

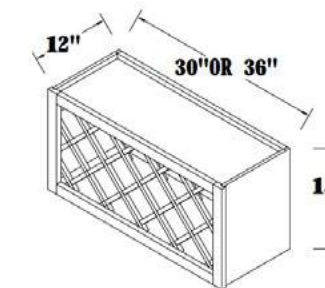
WR3015

WR3615

Wine Rack Wall Cabinet

Can Install Vertically or Horizontally

Matching Color Finish

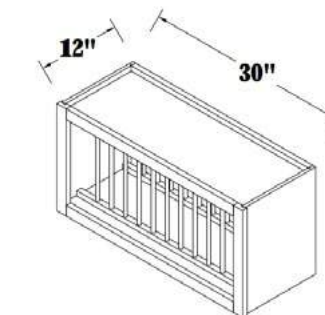


PR3015

Plate Rack Wall Cabinet

10 Plate Slots

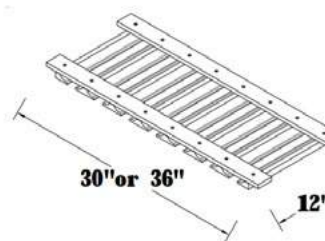
Matching Color Finish



GR30

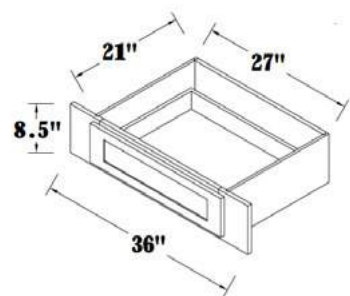
GR36

Stem Win Glass Holder





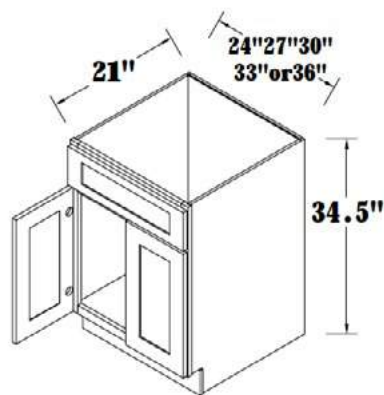
WALL CABINET All single door cabinets are invertable for both L/R



Description	SKU
-------------	-----

Desk Knee
Drawer

DKD3621

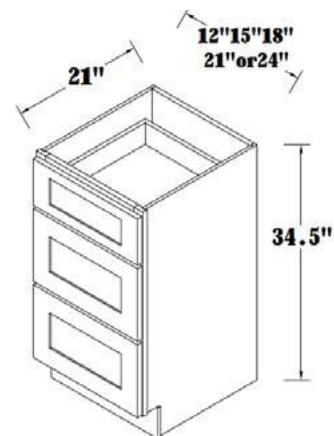


Vanity Sink
Base Cabinet

2 Doors
1 Dummy Drawer
No Shelf

Description	SKU
-------------	-----

V2421H
V2721H
V3021H
V3321H
V3621H



Vanity 3 Drawers
Cabinet

1 Small Top Drawer
2 Large Bottom
Drawers

VDB12H
VDB15H
VDB18H
VDB21H
VDB24H

All single door cabinets are invertable for both L/R **VANITY CABINET**



SKU	Description
-----	-------------

VSD3021H-L
VSD3021H-R

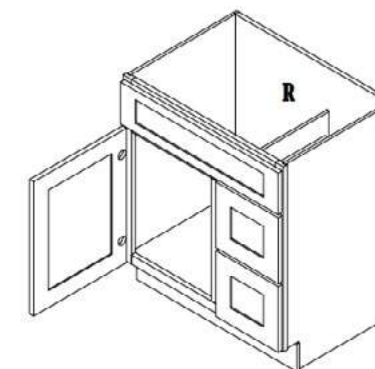
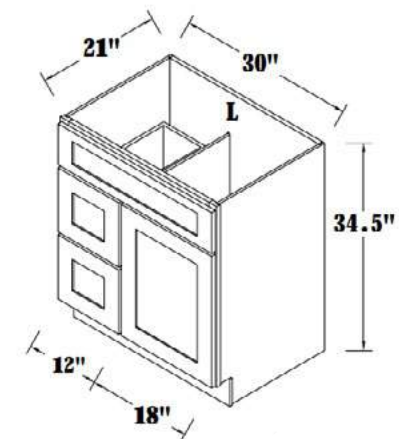
Vanity Sink Drawer
Base Cabinet

1 Door
1 Dummy Drawer On Top
2 Drawers On Side/No Shelf

VSD3021H-L Drawers On Left

VSD3021H-L: 12" + 18"

VSD3021H-R: 12" + 18"



VSD3621H-L
VSD3621H-R
VSD4221H-L
VSD4221H-R

Vanity Sink Drawer
Base Cabinet

2 Doors
1 Dummy Drawer On Top
2 Drawers On Side/No Shelf

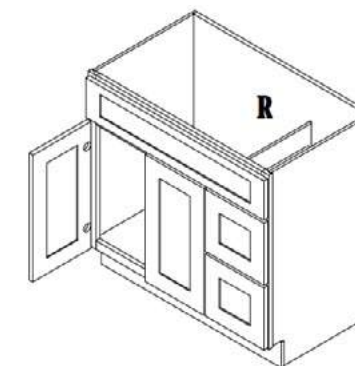
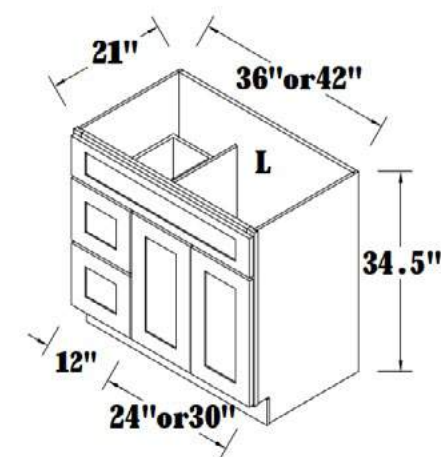
VSD3621H-L Drawers On Left

VSD3621H-L: 12" + 24"

VSD3621H-R: 12" + 24"

VSD4221H-L: 12" + 30"

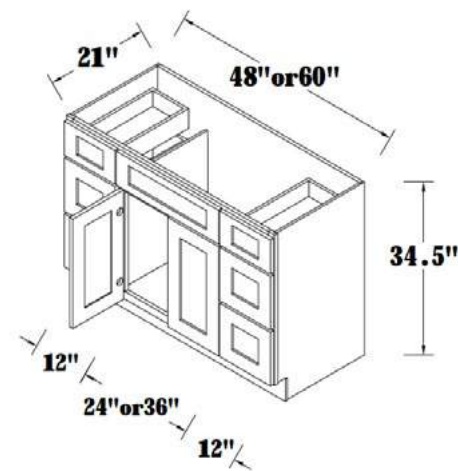
VSD4221H-R: 12" + 30"





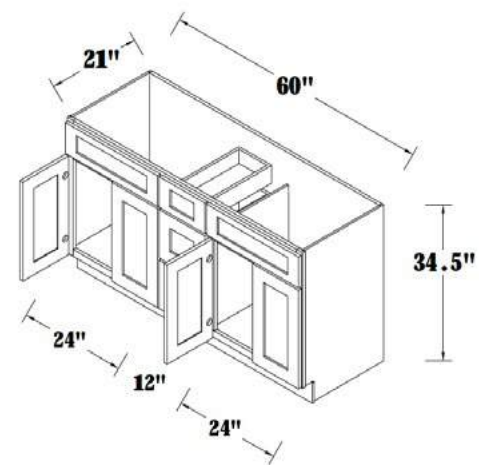
VANITY CABINET

All single door cabinets are invertable for both L/R



VSD4821H: 12" + 24" + 12"

VSD6021H: 12" + 36" + 12"



VCD6021H: 24" + 12" + 24"

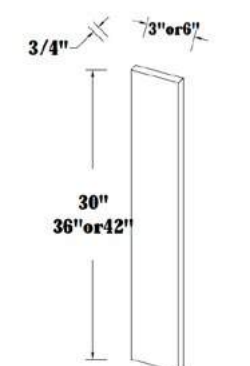
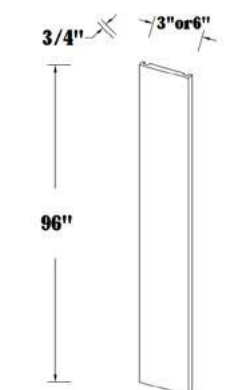
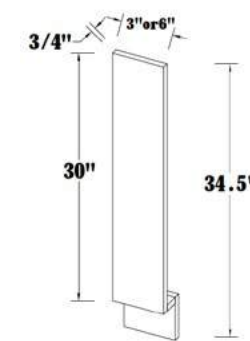
Description	SKU
Vanity Sink Drawer Base Combo	VSD4821H
	VSD6021H
	<p>2 Doors On Middle</p> <p>1 Dummy Drawer on Top</p> <p>6 Drawers On Sides / No Shelf</p>
Vanity Sink Drawer Base Combo	VCD6021H
<p>4 Doors on Bottom Sides</p> <p>2 Dummy Drawers on Top Sides</p> <p>3 Drawers In Middle / No Shelf</p> <p>(1 Small Top Drawer / 2 Large Bottom Drawers)</p>	

ACCESSORY

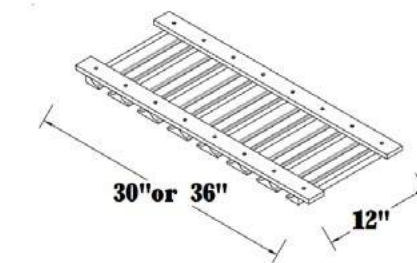
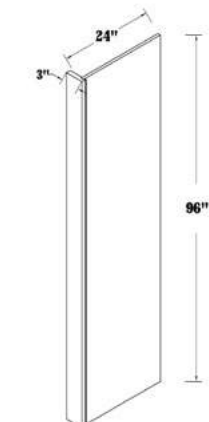
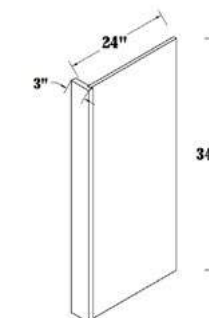
All single door cabinets are invertable for both L/R



SKU	Description
BF3	Base Filler
BF6	
TF396	Tall Filler
TF696	
WF330	Wall Filler
WF336	
WF342	
WF630	
WF636	
WF642	

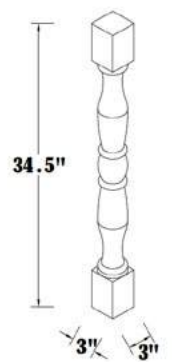


SKU	Description
DWR3	Dish Washer Panel
REP96	Refrigerator End Panel
GR30	Stem Win Glass Holder
GR36	



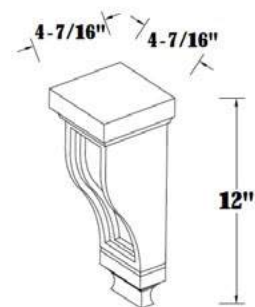


ACCESSORY All single door cabinets are invertable for both L/R

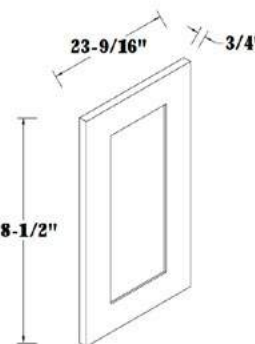


Fluted Post

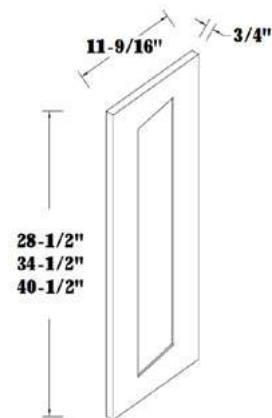
Description	SKU
	TP34 1/2
	CORBEL-58
	BDE24



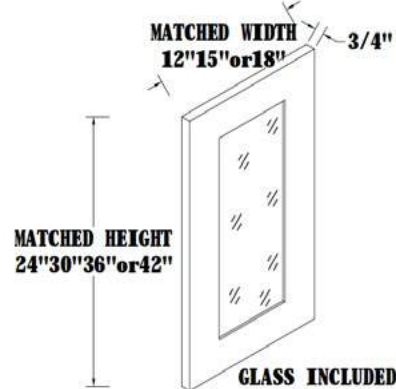
Corbel



Decorative Base End Panel



Wall Decorative Door Panel

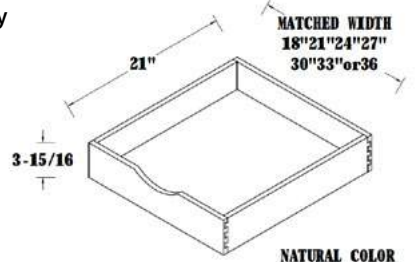
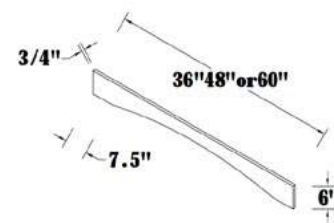
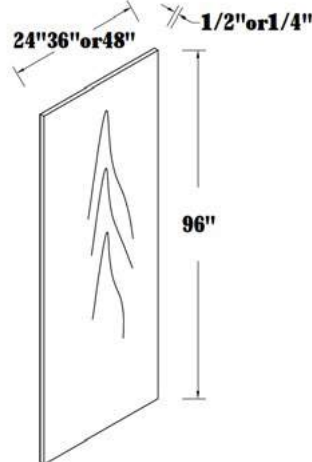


Glass Door

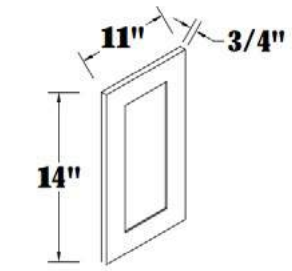
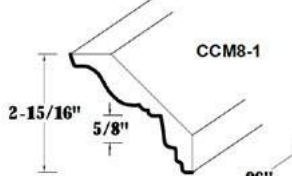
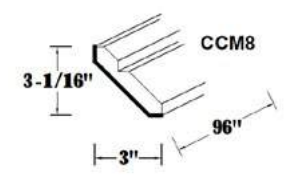
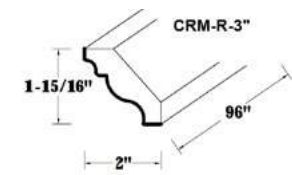
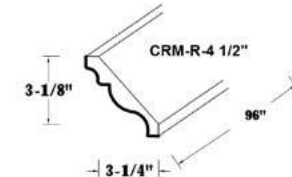
Glass Included

Description	SKU
	WDE30
	WDE36
	WDE42
	W1230GD
	W1530GD
	W1830GD
	W1236GD
	W1536GD
	W1836GD
	W1242GD
	W1542GD
	W1842GD
	W2130GD
	W2136GD
	W2142GD
	W2730GD
	W2736GD
	W2742GD
	W3330GD
	W3336GD
	W3342GD
	WDC2430GD
	WDC2436GD
	WDC2442GD

SKU	Description
PNL2496H	Plywood Finished End Panel <i>Q (quarter)</i> <i>H (half)</i>
PNL2496Q	
PNL3696H	
PNL3696Q	
PNL4896H	
VA60	Arched Valance
RD18	Roll Out Drawer For Base And Pantry
RD21	
RD24	
RD27	
RD30	
RD33	
RD36	



SKU	Description
CRM-R-4 1/2"	Natural Color
CRM-R-3"	
CCM8	
CCM8-1	
SD11X14	Sample Door

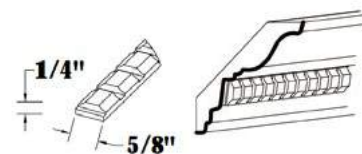


All single door cabinets are invertable for both L/R **ACCESSORY**



ACCESSORY All single door cabinets are invertable for both L/R

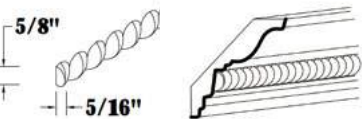
Description	SKU
-------------	-----



Natural Color

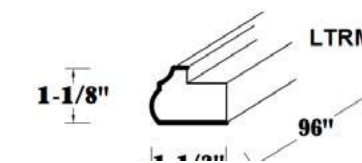
DM18

CCM8-1 + DM18



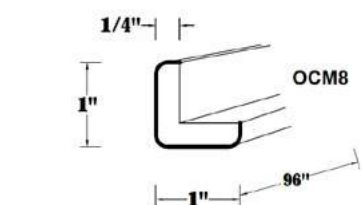
CCM8-1 + RM18

RM18



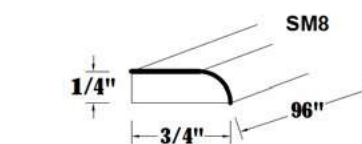
Light Moulding

LTRM1



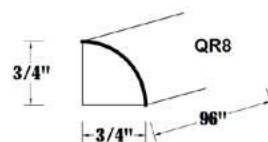
Outside Corner Moulding

OCM8



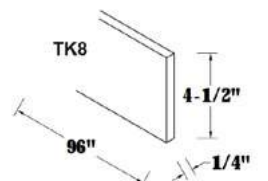
Scribe Moulding

SM8



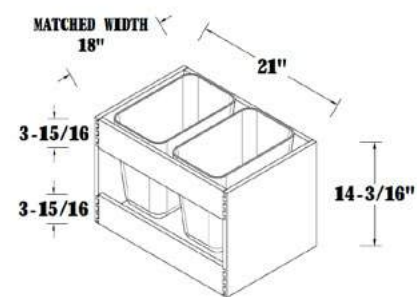
Quarter Round Moulding

QR8



Totemic Base Board

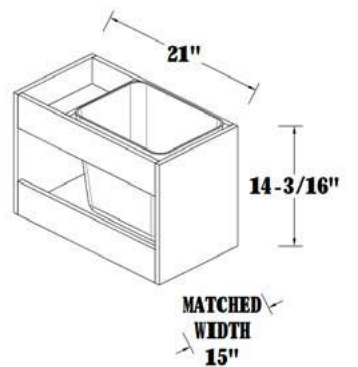
TK8



Waste Bin 18"W

WB18-2

NATURAL COLOR
2 PCS Rubbish Bin



Waste Bin 15"W

WB15

NATURAL COLOR
1 PC Rubbish Bin





QUAVANA
CABINET & QUARTZ

(281) 741-2565 | (281) 741-3997

quavanasales@gmail.com

www.quavana.com

10739 W Little York Rd. Suite 300 Houston, TX 77041